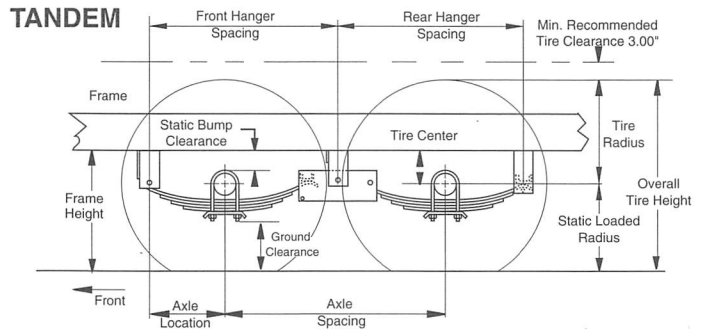
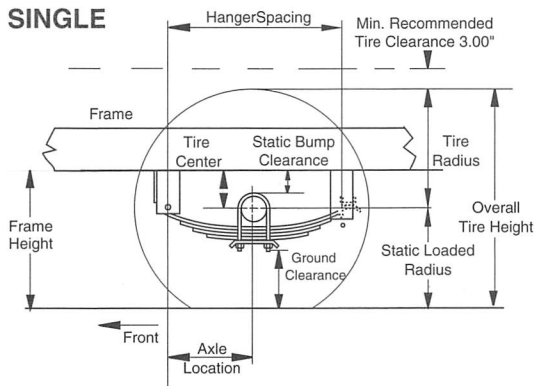


# Suspension Dimensions – Kits for 2" Wide Springs

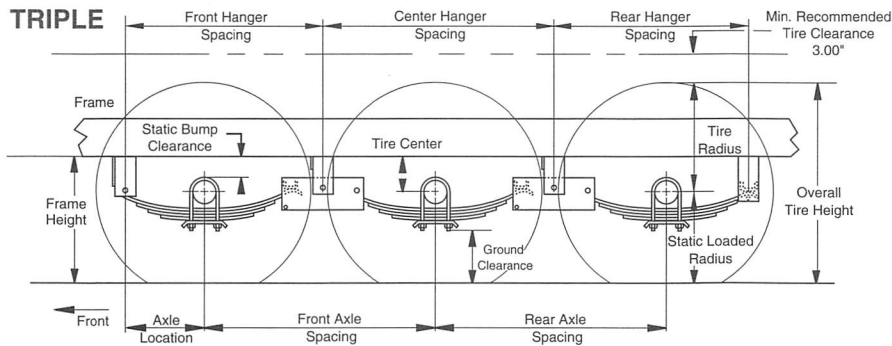


## 9K Single Axle HAP-105-00

Part No.	Qty	Description
028-068-04	2	Front Hanger
030-068-01	2	Rear Hanger
007-181-00	2	Spring Eye Bolt
007-007-00	2	Keeper Bolt
006-038-00	2	Locknut
006-011-00	2	Locknut
059-203-00	1	Instruction Sheet

## 9K Single Axle HAP-105-00

Front Hanger Spacing	26.9
Static Bump Clearance	2.6
Tire Center	5.2
Axle Location	13.7



## 9K 38" Triple Axle

### HAP-205-01 HAP-205-02 HAP-205-03

Front Hanger Spacing	32.4	34.6	37.7
Center Hanger Spacing	38.0	42.3	48.5
Rear Hanger Spacing	32.9	35.0	38.1
Static Bump Clearance	2.3	2.3	2.3
Tire Center	4.9	4.9	4.9
Axle Location	13.7	13.7	13.7
Front Axle Spacing	38.0	42.3	48.5
Rear Axle Spacing	38.0	42.3	48.5

## 9K Axle Assemblies

38"      42.25"      48.50"

	For single axle assemblies use (1) HAP-105-00		
Tandem	(1) HAP-105-00 (1) HAP-205-01	(1) HAP-105-00 (1) HAP-205-02	(1) HAP-105-00 (1) HAP-205-03
Triple	(1) HAP-105-00 (2) HAP-205-01	(1) HAP-105-00 (2) HAP-205-02	(1) HAP-105-00 (2) HAP-205-03

## 9K Tandem Axle

### HAP-205-01 HAP-205-02 HAP-205-03

Front Hanger Spacing	32.4	34.6	37.7
Rear Hanger Spacing	32.9	35.0	38.1
Static Bump Clearance	2.3	2.3	2.3
Tire Center	4.9	4.9	4.9
Axle Location	13.7	13.7	13.7
Front Axle Spacing	38.0	42.3	48.5

## 9K 38" Multi-Axle

### Conversion Kit HAP-205-01

Part No.	Qty	Description
029-039-04	2	Center Hanger
013-117-03	2	Equalizer
007-181-00	2	Spring Eye Bolt
007-007-00	2	Keeper Bolt
007-182-00	2	Equalizer Bolt
006-038-00	2	Locknut
006-011-00	2	Locknut
006-112-00	2	Locknut
059-203-00	1	Instruction Sheet

## 9K 42.25" Multi-Axle

### Conversion Kit HAP-205-02

Part No.	Qty	Description
029-039-04	2	Center Hanger
013-118-03	2	Equalizer
007-181-00	2	Spring Eye Bolt
007-007-00	2	Keeper Bolt
007-182-00	2	Equalizer Bolt
006-038-00	2	Locknut
006-011-00	2	Locknut
006-112-00	2	Locknut
059-203-00	1	Instruction Sheet

## 9K 48.5" Multi-Axle

### Conversion Kit HAP-205-03

Part No.	Qty	Description
029-039-04	2	Center Hanger
013-119-03	2	Equalizer
007-181-00	2	Spring Eye Bolt
007-007-00	2	Keeper Bolt
007-182-00	2	Equalizer Bolt
006-038-00	2	Locknut
006-011-00	2	Locknut
006-112-00	2	Locknut
059-203-00	1	Instruction Sheet

All dimensions are for underslung spring orientation only.