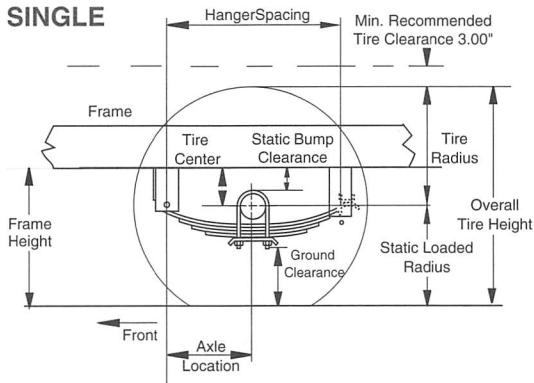


Suspension Dimensions— Kits for 2½" Wide Springs ¾" Spring Eye Bolts

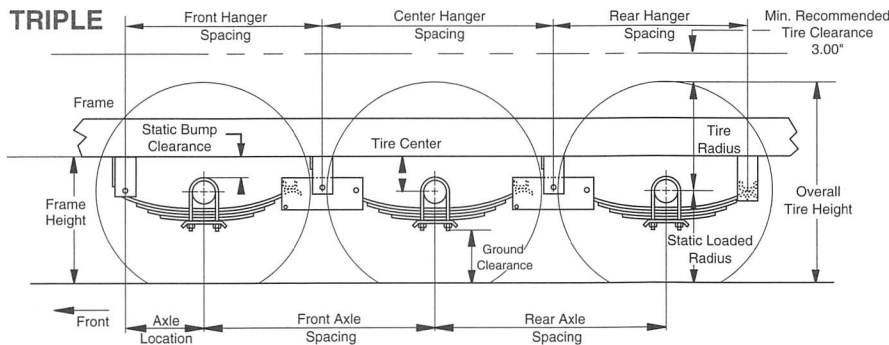


10K GD Single Axle HAP-158-00

Part No.	Qty	Description
028-074-02	2	Hanger
030-061-01	2	Rear Hanger
007-264-00	2	Spring Eye Bolt
006-113-00	2	Locknut
059-203-00	1	Instruction Sheet

10K GD Single Axle HAP-158-00

Front Hanger Spacing	27.4
Static Bump Clearance	1.9
Tire Center	5.0
Axle Location	14.0



10K GD Triple Axle HAP-258-01 HAP-258-02 HAP-258-03

Front Hanger Spacing	33.0	35.1	38.3
Center Hanger Spacing	38.0	42.3	48.5
Rear Hanger Spacing	32.4	34.6	37.7
Static Bump Clearance	1.7	1.7	1.7
Tire Center	4.8	4.8	4.8
Axle Location	14.0	14.0	14.0
Front Axle Spacing	38.0	42.3	48.5
Rear Axle Spacing	38.0	42.3	48.5

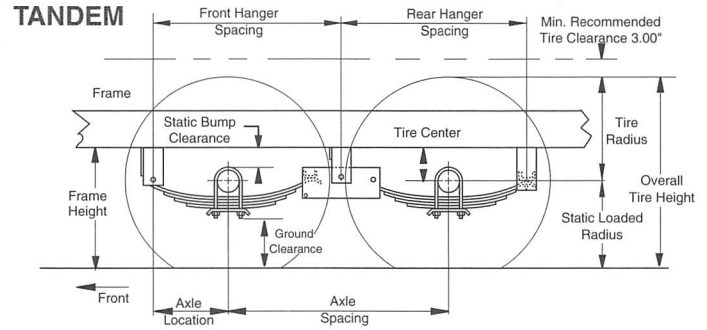
10K GD Axle Assemblies

38" 42.25" 48.50"

For single axle assemblies use (1) HAP-158-00

Tandem	(1) HAP-158-00	(1) HAP-158-00	(1) HAP-158-00
	(1) HAP-258-01	(1) HAP-258-02	(1) HAP-258-03
Triple	(1) HAP-158-00	(1) HAP-158-00	(1) HAP-158-00
	(2) HAP-258-01	(2) HAP-258-02	(2) HAP-258-03

All dimensions are for underslung spring orientation only.



10K GD Tandem Axle

HAP-258-01 HAP-258-02 HAP-258-03

Front Hanger Spacing	33.0	35.1	38.3
Rear Hanger Spacing	32.4	34.6	37.7
Static Bump Clearance	1.7	1.7	1.7
Tire Center	4.8	4.8	4.8
Axle Location	14.0	14.0	14.0
Front Axle Spacing	38.0	42.3	48.5

10K GD 38" Multi-Axle Conversion Kit HAP-258-01

Part No.	Qty	Description
006-112-00	2	Locknut
006-113-00	2	Locknut
007-264-00	2	Spring Eye Bolt
007-169-00	2	Equalizer Bolt
013-139-03	2	Equalizer
029-042-02	2	Center Hanger
059-203-00	1	Instruction Sheet

10K GD 42.25" Multi-Axle Conversion Kit HAP-258-02

Part No.	Qty	Description
006-112-00	2	Locknut
006-113-00	2	Locknut
007-264-00	2	Spring Eye Bolt
007-169-00	2	Equalizer Bolt
013-140-03	2	Equalizer
029-042-02	2	Center Hanger
059-203-00	1	Instruction Sheet

10K GD 48.5" Multi-Axle Conversion Kit HAP-258-03

Part No.	Qty	Description
006-112-00	2	Locknut
006-113-00	2	Locknut
007-264-00	2	Spring Eye Bolt
007-169-00	2	Equalizer Bolt
013-141-03	2	Equalizer
029-042-02	2	Center Hanger
059-203-00	1	Instruction Sheet