

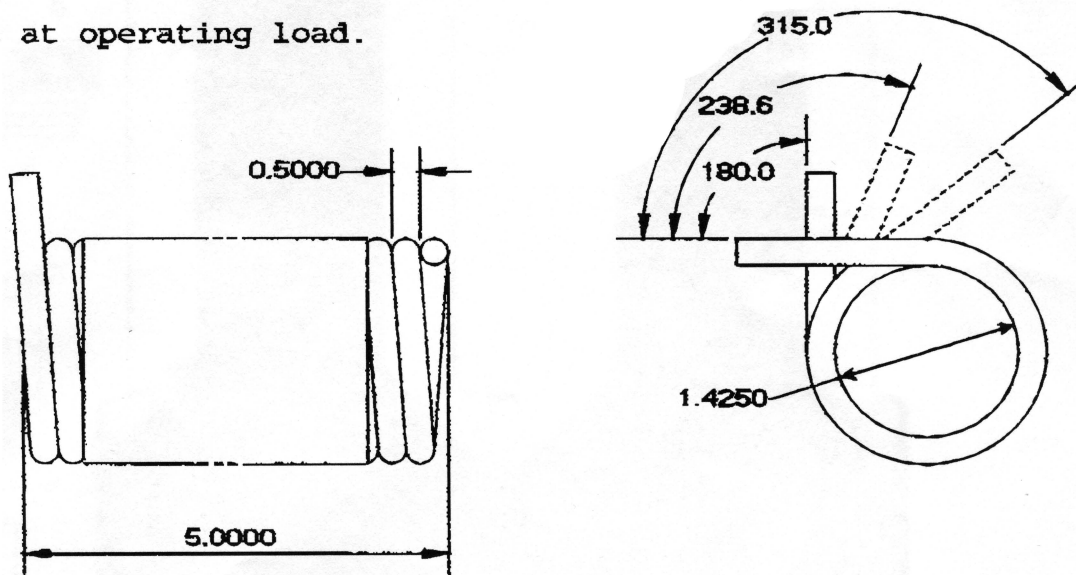
CERKA INDUSTRIES - 1/2 Wire

Torsion	Cylind	Close Wound	Oil Tempered	Round	
Wire Dia (in)	0.5000	Mean Dia (in)	1.9250	Active Coils	9.4134
				Total Coils	9.0000
				Active Legs (in)	7.5000
Rate (#-in/deg)	26.6133	Inside Dia (in)	1.4250		
Spring Index C	3.8500	Outside Dia (in)	2.4250		
Nat Freq (Hz)	115.1643	Min I.D. (in)	1.3513		
		Body Length (in)	5.0000	Addl Feed (in)	15.0000
		Max Bdy Len (in)	5.1875	Devel Lngth (in)	69.4281
				Weight (lbs)	3.8715

	Free	Point 1	Point 2
Moment Arms (in)		3.7500	
Force at Arm (lbs)		416.1050	
Moment (#-in)		1560.393	3592.791
Angle (deg)	180.0000	238.6322	315.0000
Deflection (deg)		58.6322	135.0000
UNK Stress (psi)		127152	292767
UNK Stress % of MTS		75.0	172.7

RMAL MANUFACTURING TOLERANCES: (All other dimensions ref. only)
 Coil Diameter: Consult your springmaker.

NOTES:
 May take a set at operating load.



Dimensions in inches and degrees
 Illustration Only - Not for manufacture - Not to scale