

Mounting Instructions

1804055 Bolt-on Receiver Tube

Capacity

2,000 lbs. Maximum Vertical Tongue Load
20,000 lbs. Maximum Gross Trailer Weight

WARNING

Do not exceed the hitch plate or vehicle towing capacity. If you do not know these towing capacities, contact the hitch plate installer and/or vehicle upfitter for your hitch plate and vehicle towing capacities.

Mounting

1. Bolt the receiver tube weldment to the hitch plate using four 1/2" grade 8 bolts, lock washers and nuts. Torque the fasteners to 100 ft-lbs. You may use Buyer's Products bolt kit P/N 8520.

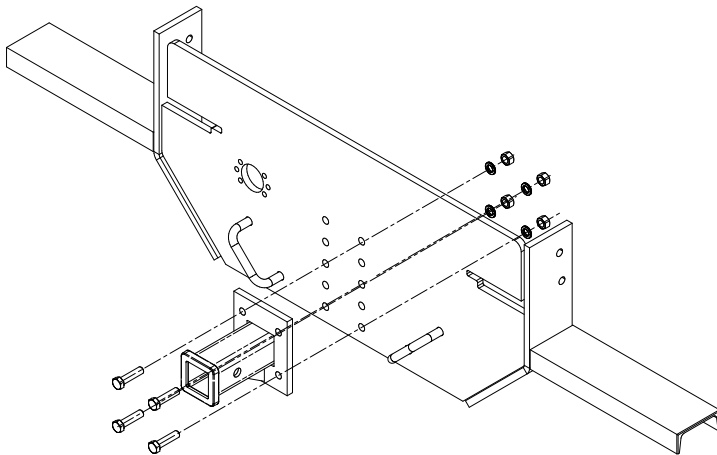


Fig. 2

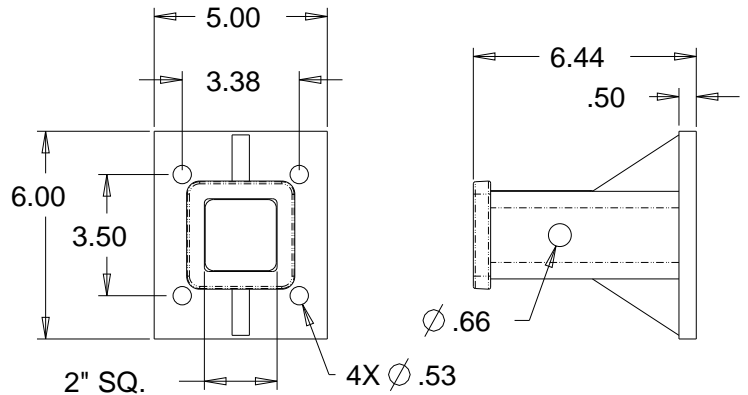
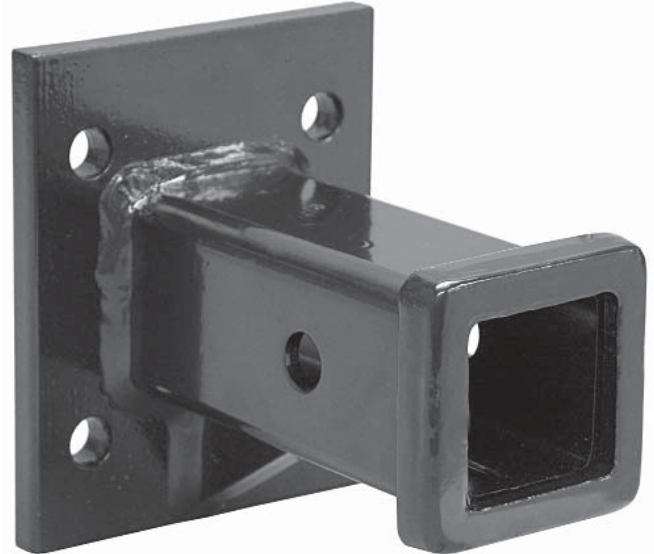


Fig. 1

WARRANTY

Buyers Products Co. warrants all truck/trailer hardware manufactured or distributed by it, to be free from defects in material and workmanship for a period of one year from date of shipment. Parts must be properly installed and used under normal conditions. Any product which has been altered, including modification, misuse, accident or lack of maintenance will not be considered under warranty. Normal wear is excluded. The sole responsibility of Buyers Products Co. under this warranty is limited to repairing or replacing any part or parts which are returned, prepaid, and are found to be defective by Buyers Products Co. Authorization from Buyers Products Co. must be obtained before returning any part. No charges for transportation or labor performed on Buyers' products will be allowed under this warranty.