

Installation Instructions

LT12 Trimmer Rack for Enclosed Landscape Trailers

Important!

Before you begin installing:

1. Read and understand these instructions completely.
2. Verify that you have received all the parts listed in the bill of materials.

CAUTION:

Always wear safety glasses when using power tools.

Tools and Materials Required:

- 9/16" Wrench or Socket
- Electric Drill
- 1/4" Drill Bit
- 3/4" Plywood Shim Strips
- Shim Screws

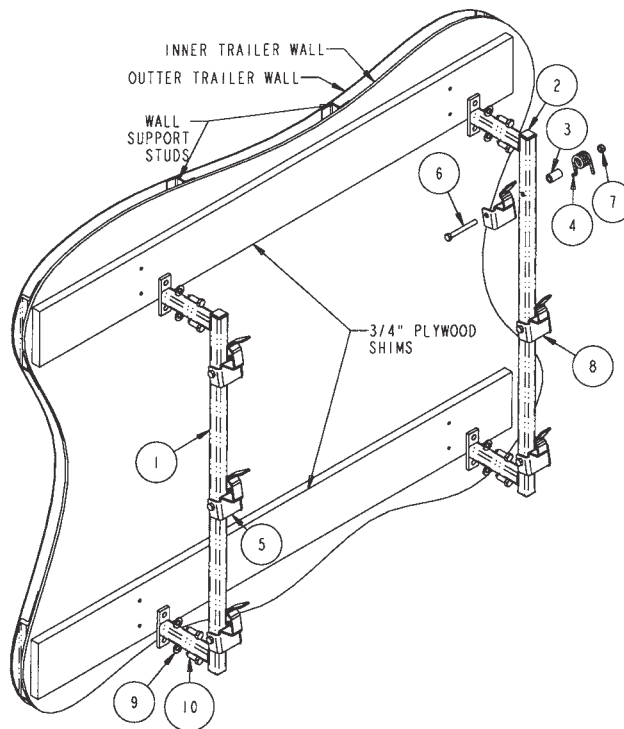
1. Locate a suitable place on the wall to mount the trimmer rack. The two racks should be mounted 28" to 34" apart. The large hook on the one upright should engage the trimmer's grip and the smaller hooks on the other upright should engage the shaft of the trimmer. **Do not clamp on or near the throttle trigger of the trimmer.** Verify the determined positions will work with all the trimmers you wish to mount in the rack. Bent shaft trimmers require the brackets to be mounted closer together than straight shaft trimmers.

2. In order to mount this rack to the enclosed trailer, **you must first add 3/4" plywood shim strips to the walls.** These shim strips must be attached to at least two wall support studs with suitable fasteners. If you don't know what kind or length of fastener to use contact your trailer dealer or manufacturer for their recommendation.

3. Hold the trimmer racks against the shims, hold level, and mark the position of the four 3/8" holes in each rack. Make sure that the two racks are in line with each other and are at the proper spacing.

WARNING! Check for locations of brake lines and electrical wiring etc., before drilling any holes. Any damage to trailer during installation is the installer's sole responsibility.

4. Drill eight 1/4" pilot holes in the positions just marked for the 3/8" lag screws. **Be extremely careful not to drill through the outside trailer wall.**



Bill of Materials

ITEM	PART NO.	QTY.	DESCRIPTION
1	3004444	2	Base Weldment, Trimmer Rack, LT12
2	0204300	4	Plug, Plastic Finish, 1" Sq Tube
3	3004083	6	Guide, Spring
4	3004084	6	Spring, Torsion Trimmer Rack
5	3005286	3	Hook, Grip Pivot
6	-	6	Screw, HHC 5/16-18 x 2-3/4 Gr 5 Zn
7	-	6	Nut, Nylock 5/16-18 Zn
8	3004082	3	Hook, Pivot
9	-	8	Washer, Flat 3/8" SAE Zn
10	-	8	Screw, Hex Head Lag, 3/8 x 1-1/4 Zn

5. Fasten the racks to the trailer wall with the eight 3/8" x 1-1/4" lag screws and eight 3/8" flat washers supplied.

WARRANTY

Buyers Products Co. warrants all truck/trailer hardware manufactured or distributed by it, to be free from defects in material and workmanship for a period of one year from date of shipment. Parts must be properly installed and used under normal conditions. Any product which has been altered, including modification, misuse, accident or lack of maintenance will not be considered under warranty. Normal wear is excluded. The sole responsibility of Buyers Products Co. under this warranty is limited to repairing or replacing any part or parts which are returned, pre-paid, and are found to be defective by Buyers Products Co. Authorization from Buyers Products Co. must be obtained before returning any part. No charges for transportation or labor performed on Buyers' products will be allowed under this warranty.